

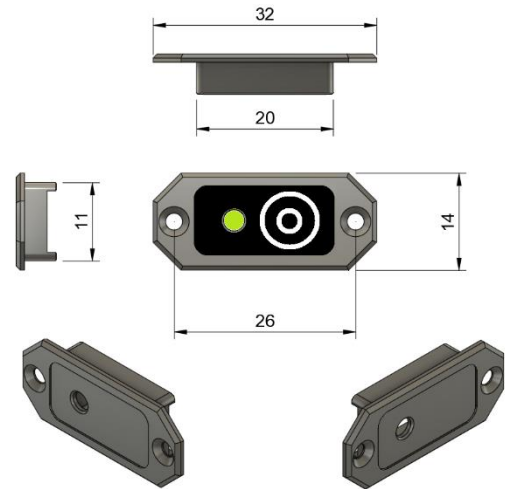
COMBINED MAGNETIC & TOUCH SWITCH

INSTRUCTION MANUAL

The magnetic switch is designed to control the on/off functionality of compatible Elite products, particularly the FALCON series speed controllers with an integrated BEC circuit for powering the receiver and servos. The switch uses a magnetically sensitive Hall sensor and an informative LED indicator.

FEATURES

- Maximum lifespan due to the contactless switching mechanism with an unlimited number of power cycles.
- Low power consumption.
- Operation with a strong magnet at a distance of up to 15mm (with the included magnet in the package).
- Compatible with any type of control magnet.
- Small size and weight.
- Easy installation.



	MAGNETIC & TOUCH SWITCH
Dimensions	32x14x8mm
Weight (including cable)	3,5g
Current in the off state	50uA
Control	Magnet (north or south pole)
Touch switch function	Yes
Touch switch compatibility	Voltario T30, T60, T70, T75
Magnetic switch compatibility	All FALCON ESC w SBEC, Voltario T70, T75

INSTALLATION

Before installing it in the model, first change the settings in the FALCON SBEC controller. Follow the instructions for the FALCON controllers and make the change in the *Common Settings* menu – Switch Type and select “Button/Hall”.

Remove the main flight battery and connect the magnetic switch to the speed controller. Reconnect the battery and check the switching function. If the BEC of the FALCON controller is switched off, the LED on the magnetic switch flashes very briefly approximately once per second. When the BEC is on, the LED lights up continuously. As soon as the magnetic field is detected, the LED starts flashing. Each time the magnet approaches the switch for about 1 second, the state changes from off to on and vice versa.

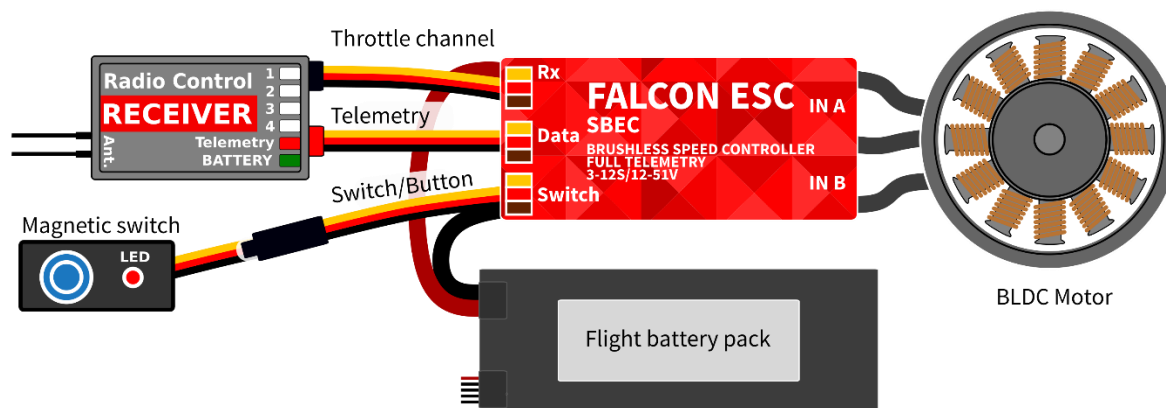
Inside the fuselage of the model, select a suitable location for the switch that you will control externally with a magnet. The switch can be screwed in using the mounting holes or glued in place. It is recommended to drill a hole in the model for the LED of the magnetic switch to provide visual feedback on the switch status. Ensure the location is free from magnetically attractive parts. Use the included sticker/target to mark the spot on the outside of the model.

TOUCH SWITCH FUNCTION

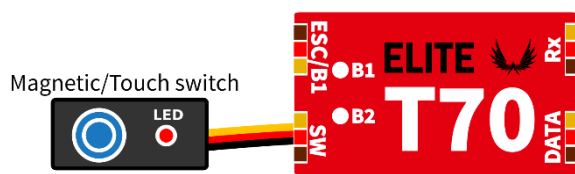
The magnetic switch can replace the standard touch switch included with some Elite products, such as Voltarios. If you prefer using the touch switch over the magnetic switch, set the *Switch Type* parameter to "Touch" in the settings. Once set, briefly touching the switch body will cause the status LED to flash, indicating touch detection. In this mode, you will not need an extra magnet.

Please note that the touch and magnetic switch functions are exclusive and cannot be used simultaneously.

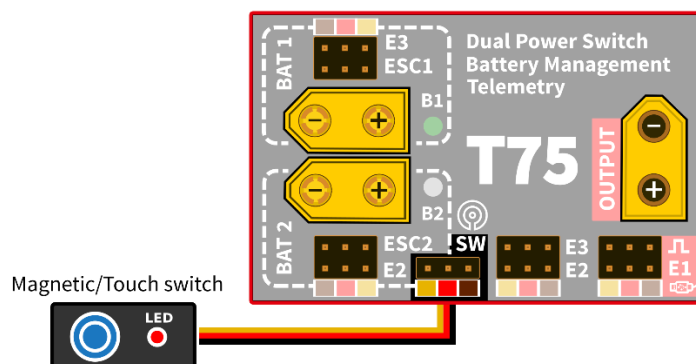
FALCON controller with the magnetic switch function



Voltario T70 with the option of both magnetic or touch switch function.



Voltario T75 with the option of both magnetic or touch switch function.



WARRANTY

We grant a warranty of 24 months from the day of purchase under the assumption that they have been operated in conformity with these instructions at recommended voltages and that they were not damaged mechanically. Warranty and post warranty service is provided by the manufacturer.

